



- L6G load cells are available in the capacities 50kg~600kg.
- Aluminum construction with parallel beam.
- Silicon adhesive sealed, surface anodized and anti-corrosion.
- Integral structure and easy installation.
- Suitable for electronic pricing scales, platform scales and other electronic weighing devices.

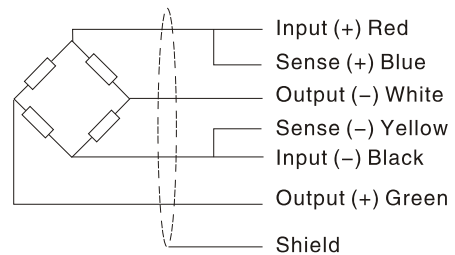
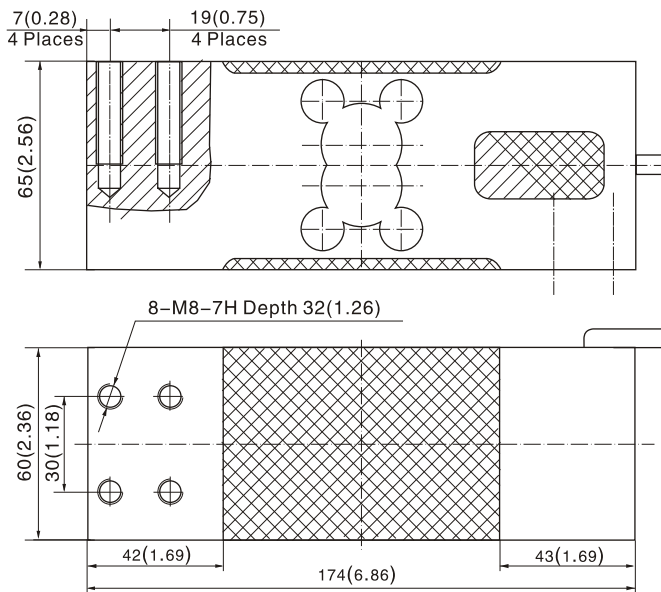
Features

- Capacity: 50kg~600kg
- High accuracy
- Max. platform size: 600×600mm
- OIML Certificates No:R60/2000-CN-00.03
- PTB Approval No:D09-03.22 Revision 2

Specifications

Capacity	kg	50/100/150/200/250/300/500/600		
Accuracy		C3D	C3	C3G
Approvals	n _{max}		OIML R60 C3	
Maximum number of verification intervals	v _{min}	2500	3000	4000
Minimum load cell verification interval		E _{max} /5000	E _{max} /7000	E _{max} /11000
Combined error	(%FS)	≤ ± 0.030	≤ ± 0.020	≤ ± 0.015
Creep	(%FS/30min)	≤ ± 0.020	≤ ± 0.0167	≤ ± 0.0125
Temperature effect on sensitivity	(%FS/10°C)	≤ ± 0.021	≤ ± 0.0175	≤ ± 0.0131
Temperature effect on zero	(%FS/10°C)	≤ ± 0.028	≤ ± 0.020	≤ ± 0.0127
Output sensitivity	(mv/v)	2.0±0.2		
Input resistance	(Ω)	406±6/1065±15		
Output resistance	(Ω)	350±3/1000±10		
Insulation resistance	(MΩ)	≥5000(50VDC)		
Zero balance	(%FS)	2		
Temperature, compensated	(°C)	-10~+40		
Temperature, operating	(°C)	-35~+65		
Excitation, recommended	(V)	5~12(DC)		
Excitation, max	(V)	18(DC)		
Safe overload	(%FS)	150		
Ultimate overload	(%FS)	300		
Corner correction		0.02%load value/100mm		

Outline Dimension mm(inch)



Wiring:

Adopt a shielded, 6 conductor cable, and cable jacket is PVC.
 Cable length: 3±0.1m
 Cable diameter: 6±0.2mm
 The shield is connected to the element.