

HM9E



- HM9E load cells are available in the capacities 50Klb~250Klb, 20t~100t.
- Alloy steel construction, hermetically welded, oil proof, waterproof, anti-corrosive gas and medium making it suitable for all kinds of environments.
- Dual shear beam, suitable for electronic truck scales, automobile testing facilities, track scales and other electronic weighing devices.

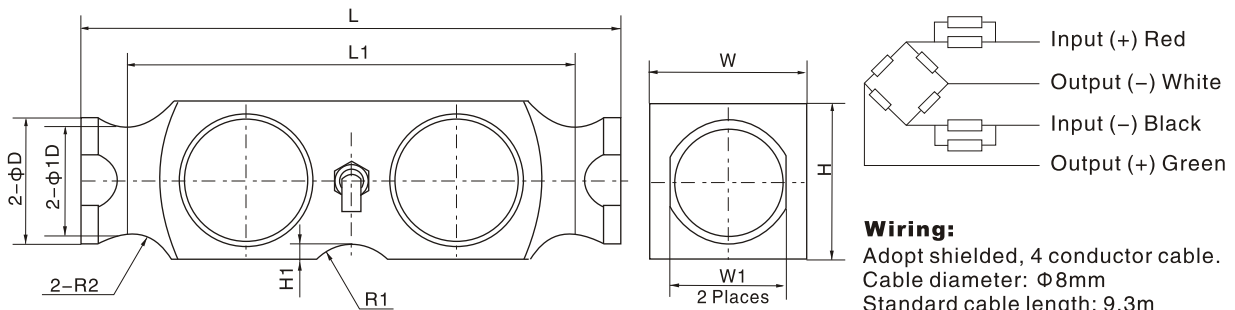
Features

- Capacity 5Klb~250Klb; 20t~100t
- High accuracy
- Alloy steel construction
- Easy installation and reliable performance

Specifications

Capacity	Klb t	50/60/65/75/100/125/150/200/250			
		20/30/40/45/50/60/100			
Accuracy		C2	C3	A5S	A5M
Maximum number of verification intervals	n _{max}	2000	3000	5000	5000
Minimum load cell verification interval	v _{min}	E _{max} /5000	E _{max} /10000	E _{max} /15000	E _{max} /15000
Combined error	(%FS)	≤ ±0.030	≤ ±0.020	≤ ±0.018	≤ ±0.026
Creep	(%FS/30min)	≤ ±0.024	≤ ±0.016	≤ ±0.012	≤ ±0.017
Temperature effect on sensitivity	(%FS/10°C)	≤ ±0.017	≤ ±0.011	≤ ±0.009	≤ ±0.013
Temperature effect on zero	(%FS/10°C)	≤ ±0.023	≤ ±0.015	≤ ±0.010	≤ ±0.014
Output sensitivity	(mv/v)	3.0±0.003			
Input resistance	(Ω)	700±7			
Output resistance	(Ω)	703±4			
Insulation resistance	(MΩ)	≥5000(50VDC)			
Zero balance	(%FS)	1.0			
Temperature, compensated	(°C)	-10~+40			
Temperature, operating	(°C)	-35~+65			
Excitation, recommended	(V)	5~12(DC)			
Excitation, max	(V)	18(DC)			
Safe overload	(%FS)	150			
Ultimate overload	(%FS)	300			

Outline Dimension mm(inch)



Capacity	Dimension		L	L1	H	H1	W	W1	ΦD	ΦD1	R1	R2
20t - 60t, 50Klb ~ 125Klb	260 (10.24)	215.9 (8.5)	76.2 (3.0)	7 (0.28)	76 (2.99)	55.9 (2.2)	Φ61 (2.4)	Φ52.3 (2.06)	25.4 (1.0)	25.4 (1.0)		
100t, 150Klb ~ 250Klb	304 (11.97)	254 (10.0)	86.36 (3.4)	10 (0.39)	86.1 (3.39)	63.5 (2.5)	Φ70 (2.76)	Φ59.7 (2.35)	38.1 (1.5)	38.1 (1.5)		