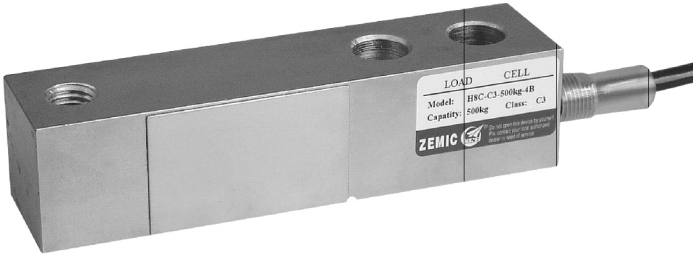


# H8C



- H8C load cells are available in the capacities 1Klb~20Klb; 0.5t~10t.
- Alloy steel, sealed by adhesive inside, oil-proof, waterproof and anti-corrosion, suitable for all kinds of environments.
- Single shear beam, easy for installation.
- Suitable for electronic platform scales, hopper scales, and other electronic weighing devices.
- Safe and anti-explosive product, can be used in atrocious environment and hazardous areas.

### Features

- Capacity: 1Klb~20Klb; 0.5t~10t
- High accuracy
- Alloy steel construction
- Low profile
- OIML Certificates No:R60/2000-CN-00.02
- PTB Approval No:D09-03.19 Revision 2
- NTEP Certificates No: CC07-012

### Accessories

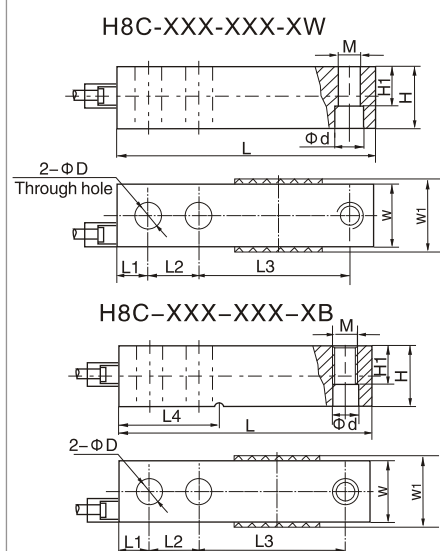
- HD-8-301 • HJ-8-201 • HJ-8-203 • HJ-8-208
- HJ-8-210 • HJ-8-213 • HJ-8-214 • HJ-8-216
- HJ-8-221 • HY-8-102 • HY-8-105 • HM-8-402

### Specifications

Capacity	t	0.5/1/1.5/2/2.5/3/5/10				
		1/1.5/2/2.5/3/4/5/5KSE/7.5/10/20				
		C2	C3	C4	A5M	B10M
Accuracy	nmax		OIML R60 C3		III 5000 Multiple	IIIL 10000 Multiple
Approvals	vmin	2000	3000	4000	5000	10000
Maximum number of verification intervals	(%FS)	E <sub>max</sub> /5000	E <sub>max</sub> /10000	E <sub>max</sub> /14000	E <sub>max</sub> /15000	E <sub>max</sub> /10000
Minimum load cell verification interval	(%FS/30min)	≤±0.030	≤±0.020	≤±0.018	≤±0.026	≤±0.050
Combined error	(%FS/10°C)	≤±0.024	≤±0.016	≤±0.012	≤±0.017	≤±0.040
Creep	(%FS/10°C)	≤±0.017	≤±0.011	≤±0.009	≤±0.013	≤±0.040
Temperature effect on sensitivity	(mv/v)	≤±0.023	≤±0.015	≤±0.010	≤±0.014	≤±0.020
Temperature effect on zero	(Ω)	2.0±0.002		3.0±0.003		
Output sensitivity	(Ω)	350±3.5				
Input resistance	(MΩ)	350±3.5				
Output resistance	(%FS)	≥5000(50VDC)				
Insulation resistance	(°C)	1.0				
Zero balance	(°C)	-10~+40				
Temperature, compensated	(V)	-35~+65				
Temperature, operating	(V)	5~12(DC)				
Excitation, recommended	(%FS)	18(DC)				
Excitation, max	(%FS)	150				
Safe overload		300				
Ultimate overload						

Note: output sensitivity of S1 type is 2.0±0.002

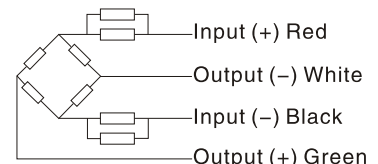
### Outline Dimension mm(inch)



Dimension Capacity	L	L1	L2	L3	L4	H	H1	W	W1	D	d	M
0.5t ~ 2t	130 (5.12)	15.8 (0.62)	25.4 (1.0)	76.2 (3.0)	54.2 (2.13)	31.8 (1.25)	15.8 (0.62)	31.8 (1.25)	34 (1.34)	13.5 (0.53)	13.5 (0.53)	M12 x 1.75
1K~4K	130 (5.12)	15.8 (0.62)	25.4 (1.0)	76.2 (3)	54.2 (2.13)	31.8 (1.25)	15.8 (0.62)	31.8 (1.25)	34 (1.34)	13.5 (0.53)	13.5 (0.53)	1/2-20UNF
5KSE	130 (5.12)	15.8 (0.62)	25.4 (1.0)	76.2 (3)	54.2 (2.13)	31.8 (1.25)	15.8 (0.62)	31.8 (1.25)	34 (1.34)	13.5 (0.53)	13.5 (0.53)	1/2-20UNF
2.5t ~ 5t	171.5 (6.75)	19.1 (0.75)	38.1 (1.5)	95.3 (3.75)	77.2 (3.04)	38.1 (1.5)	18.8 (0.74)	38.1 (1.5)	40 (1.57)	19.8 (0.78)	19.8 (0.78)	M18 x 1.5
5K~10K	171.5 (6.75)	19.1 (0.75)	38.1 (1.5)	95.3 (3.75)	77.2 (3.04)	38.1 (1.5)	18.8 (0.74)	38.1 (1.5)	40 (1.57)	19.8 (0.78)	19.8 (0.78)	3/4-16UNF
10t	222.3 (8.75)	25.4 (1.0)	50.8 (2.0)	120.7 (4.75)	101.6 (4)	50.8 (2.0)	25.4 (1.0)	50.8 (2)	52.4 (2.06)	26.92 (1.06)	26 (1.02)	M24 x 2
20K	222.3 (8.75)	25.4 (1.0)	50.8 (2.0)	120.7 (4.75)	101.6 (4)	50.8 (2.0)	25.4 (1.0)	50.8 (2)	52.4 (2.06)	26.92 (1.06)	26 (1.02)	1-12UNF

### Wiring:

Adopt shielded, 4 conductor cable: φ5mm  
Standard cable length: 4m(0.5t ~ 2t),  
6m(2.5t ~ 10t, 1Kb ~ 20Klb)



Note: This product has the stress groove, is not suitable for Australia market. For Australia users please choose H8C-XX-XX-XW.